



AIR BARRIERS

ENERSHIELD

ENERGY SAVING BARRIERS

CREATES UP TO A 90% SEAL ON OPEN DOORS USING FACILITY AIR



AIR BARRIERS

Air Barikade® AB-48 - Air Barrier Specifications

Enershield Air Barriers create an effective seal on the doorway. This is achieved by re-circulating the facility air in a laminar (smooth) flow across an open doorway. In addition, the kinetic energy within the moving air generates a barrier preventing leakage of air between two areas with different pressure and climate.

The Air Barikade® is a patented and revolutionary heated air barrier. Air Barikade® delivers an industry first where the sealing capability of an air barrier is delivered with the comfort of gentle space heating without the associated energy losses. Thermostatically controlled, the heated air flow can also be operated independently to provide fully controllable space heating for your building entrance.

The door activated high volume air barrier efficiently creates a seal to prevent the loss of heat energy, while a separate and heated airflow acts in parallel to provide warmth. It's this seal of air that prevents the transfer of temperature, humidity, dust, odours, and flying insects, while the separate and heated airflow acts in parallel to provide comfort heating. Electrically heated and thermostatically controlled the heated air flow can be operated independently enhancing occupant comfort.

Shipped with full IPPC standard wooden crating. Standard manufacturer's warranty two year, extendable to five years with service contract.

AB-48		
	Metric	Imperial
Cabinet Length	1219 mm	48"
Width x Height	363 x 505 mm	14.3 x 19.9"
Weight	65kg	143.3 lbs
Motor Electrical Power	0.45 kW	0.6 hp
Heater Electrical Power	6 kW	8 hp
Total Power	6.45 kW	8.6 hp
Voltage	220 Single Phase 60Hz	
Noise @ 2m	68 dB	
Air Velocity at Outlet	18 m/s	3550 fpm
Total Air Volume	1.3 m ³ /s	2750 cfm
Outlet Velocity Uniformity	95%	
Diffuser Angle Limits	±20°	
Installation Height	2.7 m Maximum	9' Maximum

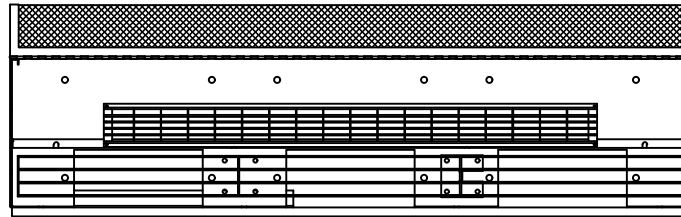


WWW.ENERSHIELD.COM

EMAIL: ENQUIRIES@ENERSHIELD.COM

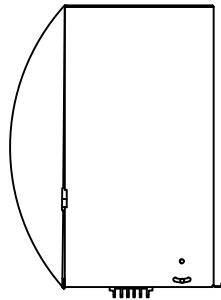


THINK ENERGY, THINK ENVIRONMENT, THINK ENERSHIELD.

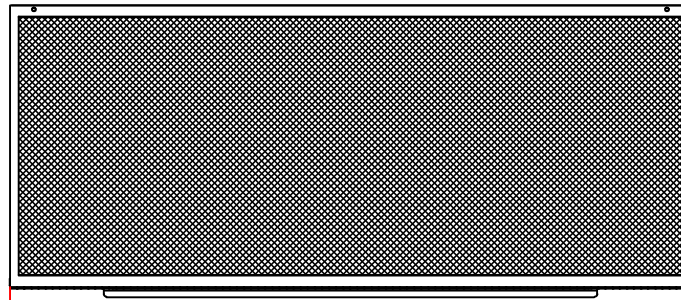
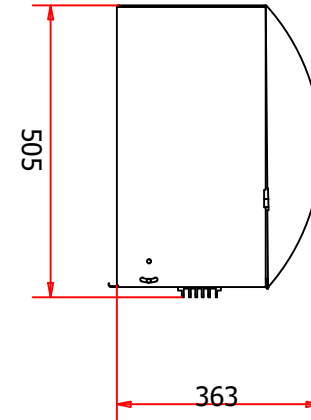


BOTTOM VIEW

RIGHT VIEW



LEFT VIEW



FRONT VIEW
1219



TOP VIEW

UKCA + CE CERTIFIED

ENERSHIELD CANADA
 95 Albert Street S.
 Sunderland, ON L0C 1H0
 Tel: 1-855-272-1272
 E-mail: enquiries@enershield.com
 Website: www.enershield.com



ENERSHIELD AIR BARRIER

Voltage 220V Single Phase 60Hz
 Blower (s) 3 @ 0.2hp
 Heater (s) 1 @ 8hp

AIR BARIKADE AB-48

Air Velocity (fpm) (m/s)	3550 / 18
Air Volume (cfm) (m³/s)	2750 / 1.3
Total Power (hp) (Kw)	8.4 / 6.3
Weight (lbs) (Kg)	143.3 / 65